

CH10x38 bat 6A/550V DC



Specifications

ETI Code	002626006
Description	CH10x38 bat 6A/550V DC
Weight	8.3
Level	Fuse-Links
Product group	Special purpose fuses
Product subgroup	BATT
Rated current (A)	6
Type	CH
Size	CH10
Breaking capacity DC (kA)	30
Rated DC voltage (V)	550
Dimensions	10x38
Power dissipation (W)	1,75
Prearcing joule integral (A2s)	14,1
L/R (ms)	10
Standards	IEC 60269
Operating joule integral (A2s)	27,3
Power dissipation (0,7xI _n) (W)	0,73

[Online product page](#)

Other documentation



[Technical data catalogue](#)



ETIM international clasification

Nominal current	6A
Size	10x38 mm
Rated voltage	Other
With striker	

CH10x38 bat 12A/550V DC



Specifications

ETI Code	002626012
Description	CH10x38 bat 12A/550V DC
Weight	8.3
Level	Fuse-Links
Product group	Special purpose fuses
Product subgroup	BATT
Rated current (A)	12
Type	CH
Size	CH10
Breaking capacity DC (kA)	30
Rated DC voltage (V)	550
Dimensions	10x38
Power dissipation (W)	1,9
Prearcing joule integral (A2s)	18,5
L/R (ms)	10
Standards	IEC 60269
Operating joule integral (A2s)	41,5
Power dissipation (0,7xIn) (W)	0,8

[Online product page](#)

Other documentation



[Technical data catalogue](#)



ETIM international clasification

Nominal current	12A
Size	10x38 mm
Rated voltage	Other
With striker	

CH10x38 bat 25A/550V DC



Specifications

ETI Code	002626025
Description	CH10x38 bat 25A/550V DC
Weight	8.3
Level	Fuse-Links
Product group	Special purpose fuses
Product subgroup	BATT
Rated current (A)	25
Type	CH
Size	CH10
Breaking capacity DC (kA)	30
Rated DC voltage (V)	550
Dimensions	10x38
Power dissipation (W)	4,1
Prearcing joule integral (A2s)	140
L/R (ms)	10
Standards	IEC 60269
Operating joule integral (A2s)	270
Power dissipation (0,7xIn) (W)	1,65

[Online product page](#)

Other documentation



[Technical data catalogue](#)



ETIM international clasification

Nominal current	25A
Size	10x38 mm
Rated voltage	Other
With striker	

CH10x38 gG 6A/500V



Specifications

ETI Code	002620005
Description	CH10x38 gG 6A/500V
Weight	7.6
Level	Cilindrical fuse links gG
Product group	C low Voltage cylindrical fuses
Characteristics	gG
Rated AC voltage (V)	500
Rated current (A)	6
Type	CH
Size	CH10
Breaking capacity AC (kA)	100
Dimensions	10X38

Online product page

Other documentation



[EU declaration](#)

[Technical data catalogue](#)

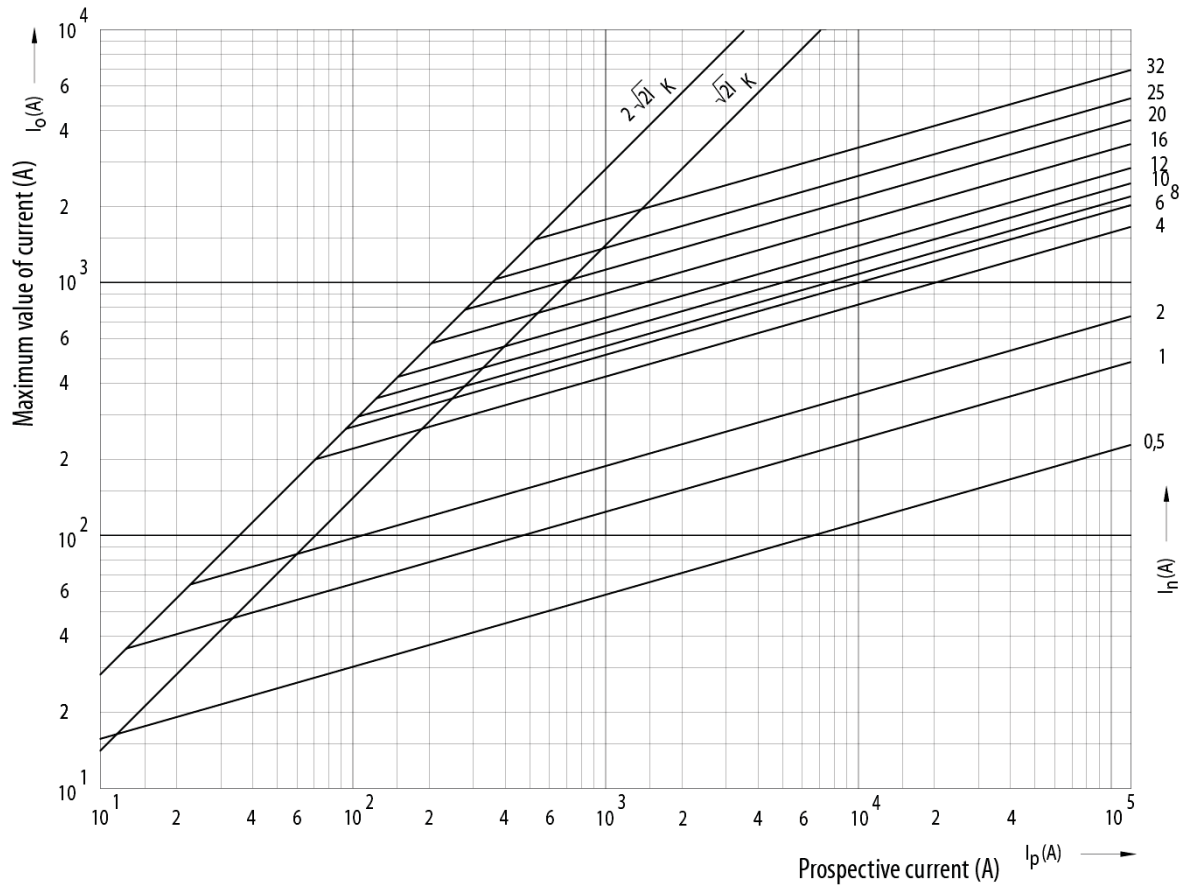


ETIM international clasification

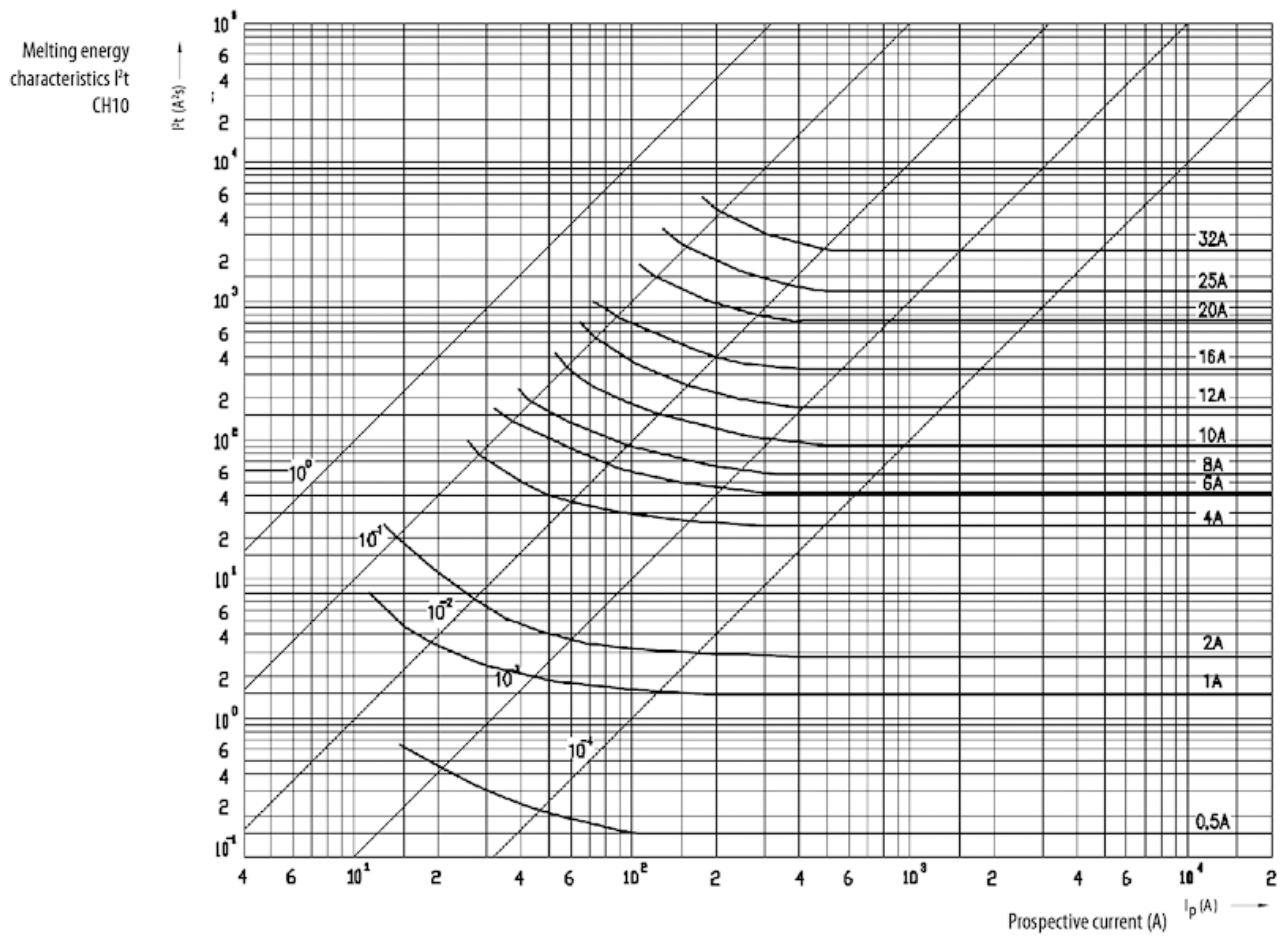
Nominal current	6A
Size	10x38 mm
Rated voltage	AC 500/600 V
With striker	

Cut-off current characteristics

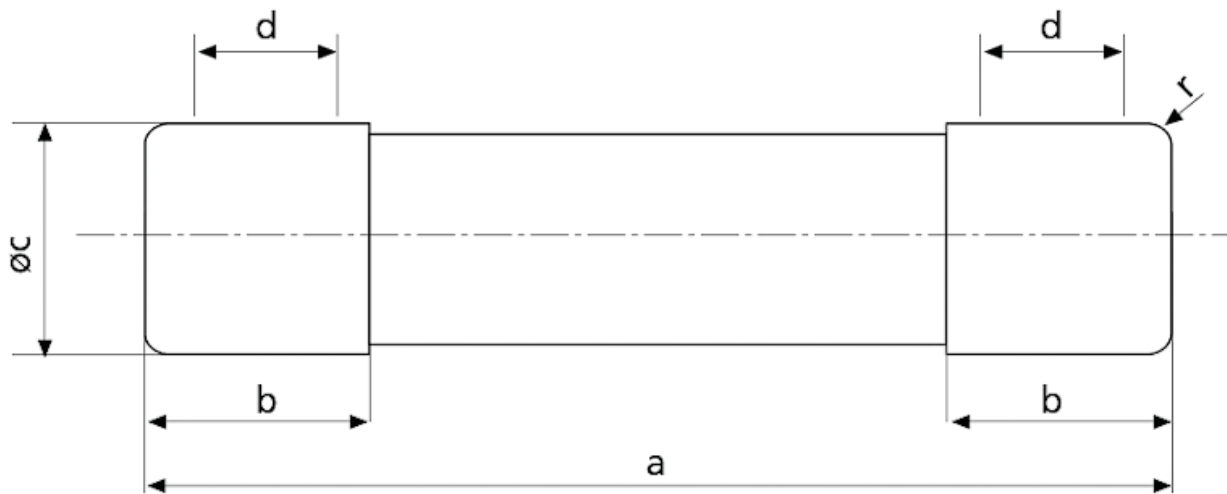
Cut-off current characteristics
CH10



Melting energy characteristics



Dimension drawing



	a	$b_{\text{max.}}$	c	$d_{\text{min.}}$	r
8 x 32	$31,5 \pm 0,5$	6,7	$8,5 \pm 0,1$	4	$1 \pm 0,5$
10 x 38	$38,0 \pm 0,6$	10,5	$10,3 \pm 0,1$	6	$1,5 \pm 0,5$
14 x 51	$51,0 + 0,6 / -1$	13,8	$14,3 \pm 0,1$	7,5	± 1
22 x 58	$58,0 + 0,1$	16,2	$22,2 \pm 0,1$	11	± 1

CH10x38 gG 12A/500V



Specifications

ETI Code	002620008
Description	CH10x38 gG 12A/500V
Weight	7.6
Level	Cilindrical fuse links gG
Product group	C low Voltage cylindrical fuses
Characteristics	gG
Rated AC voltage (V)	500
Rated current (A)	12
Type	CH
Size	CH10
Breaking capacity AC (kA)	100
Dimensions	10X38

Online product page 

Other documentation



[EU declaration](#)

[Technical data catalogue](#)

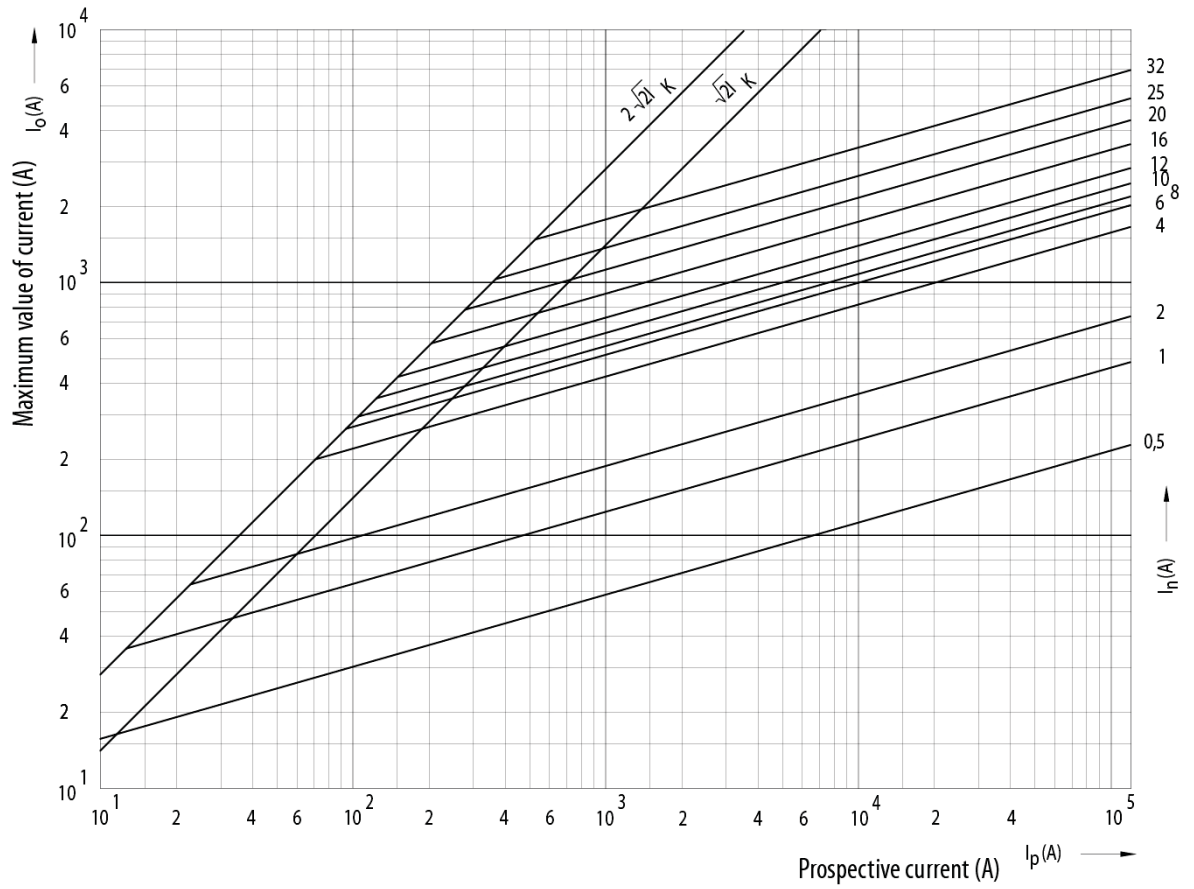


ETIM international clasification

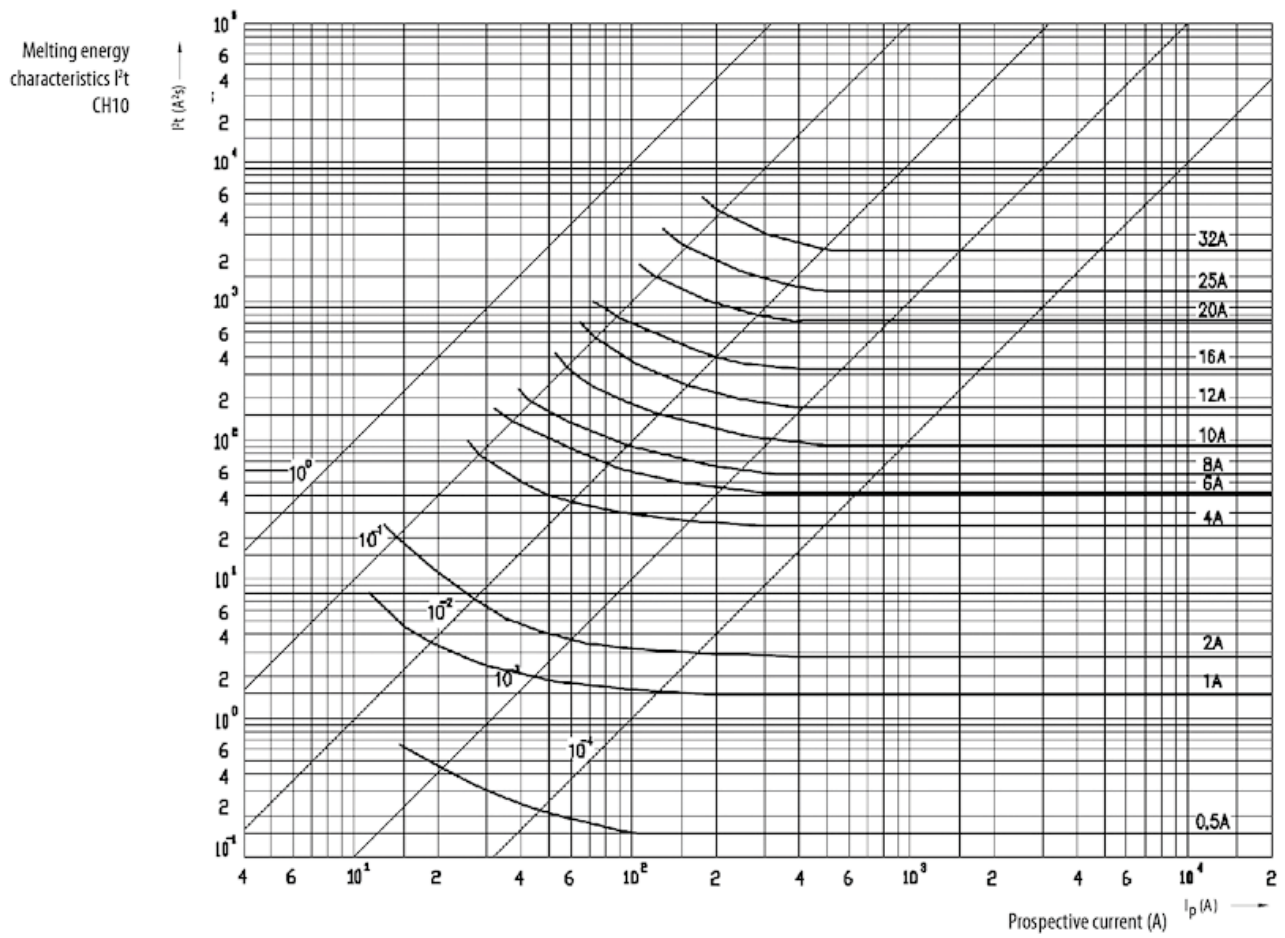
Nominal current	12A
Size	10x38 mm
Rated voltage	AC 500/600 V
With striker	

Cut-off current characteristics

Cut-off current characteristics
CH10

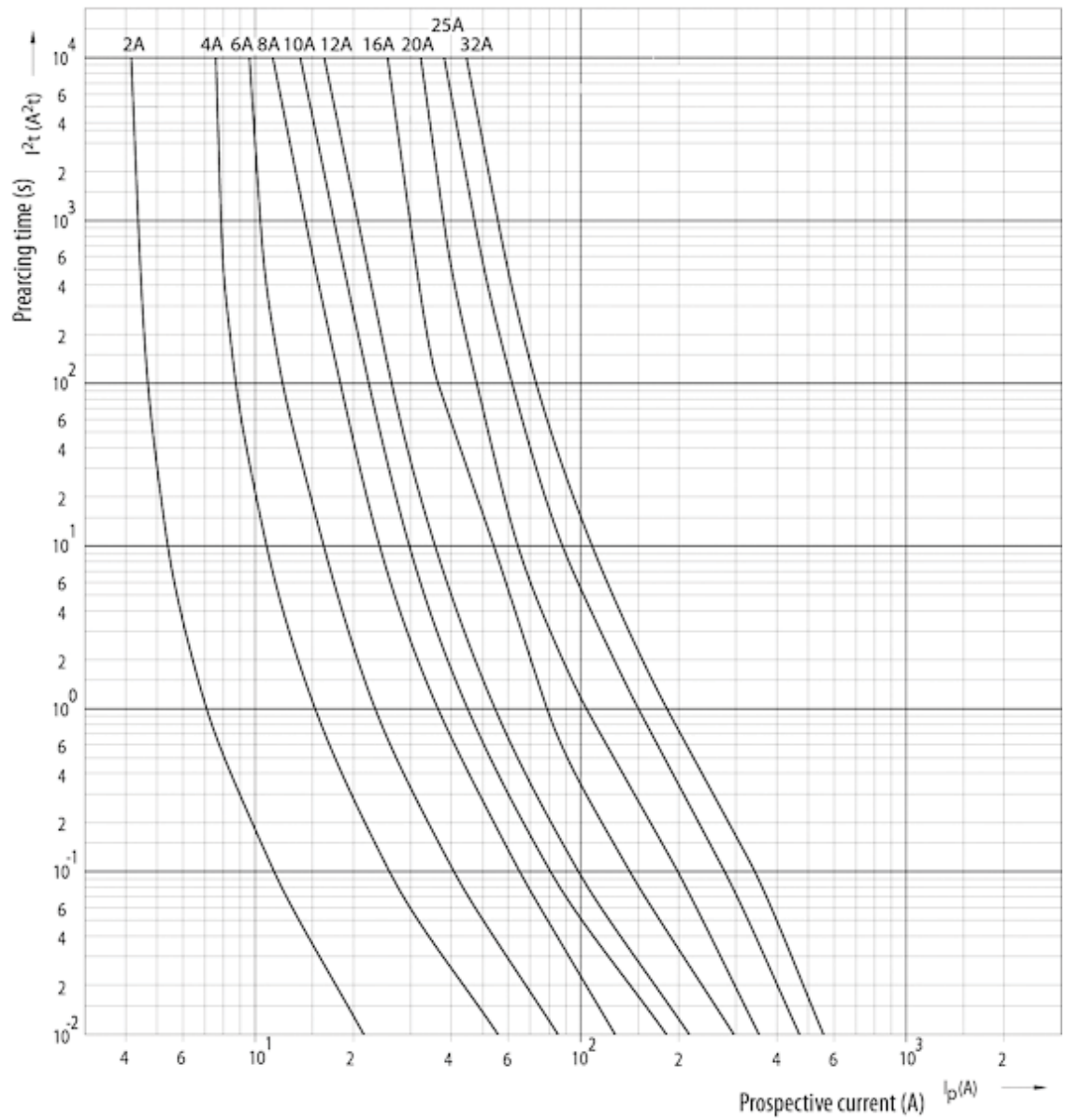


Melting energy characteristics

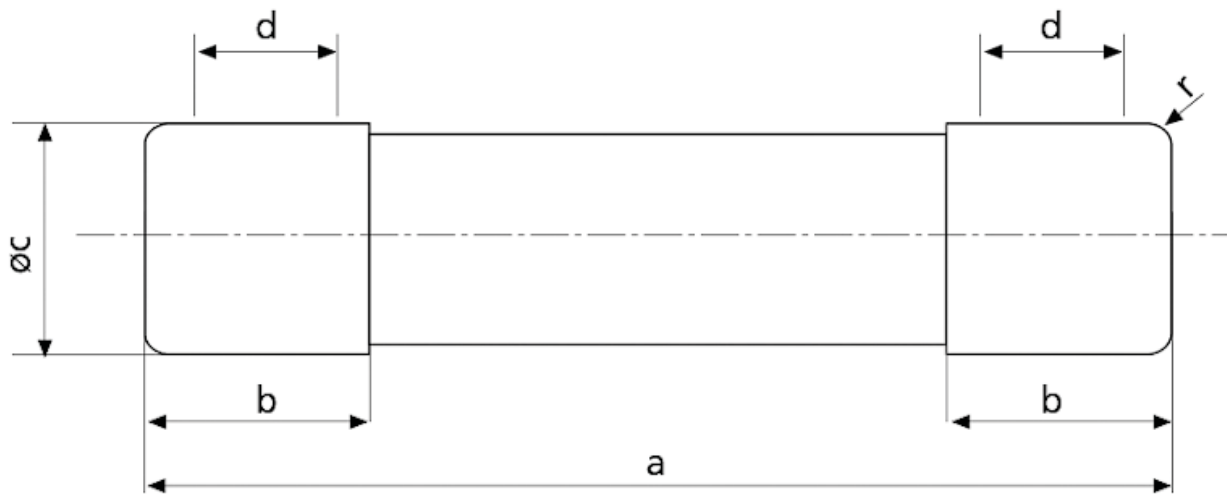


Time current characteristics

Time current
characteristics I/t, gG
CH10



Dimension drawing



	a	$b_{\text{max.}}$	c	$d_{\text{min.}}$	r
8 x 32	$31,5 \pm 0,5$	6,7	$8,5 \pm 0,1$	4	$1 \pm 0,5$
10 x 38	$38,0 \pm 0,6$	10,5	$10,3 \pm 0,1$	6	$1,5 \pm 0,5$
14 x 51	$51,0 + 0,6 / -1$	13,8	$14,3 \pm 0,1$	7,5	± 1
22 x 58	$58,0 + 0,1$	16,2	$22,2 \pm 0,1$	11	± 1

CH14x51 gG 25A/690V



Specifications

ETI Code	002630013
Description	CH14x51 gG 25A/690V
Weight	18.75
Level	Cilindrical fuse links gG
Product group	C low Voltage cylindrical fuses
Characteristics	gG
Rated AC voltage (V)	690
Rated current (A)	25
Type	CH
Size	CH14
Breaking capacity AC (kA)	80
Dimensions	14x51

Online product page 

Other documentation



[EU declaration](#)

[Technical data catalogue](#)

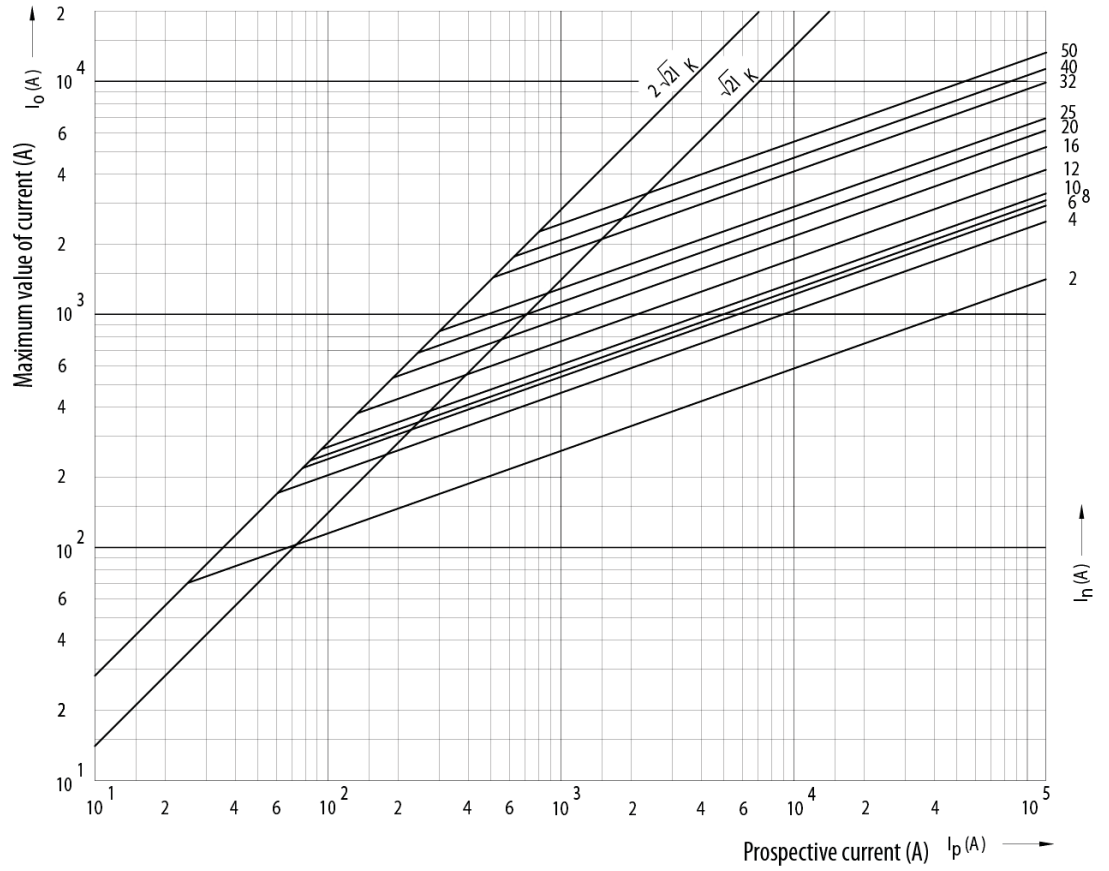


ETIM international clasification

Nominal current	25A
Size	14x51 mm
Rated voltage	AC 690 V
With striker	

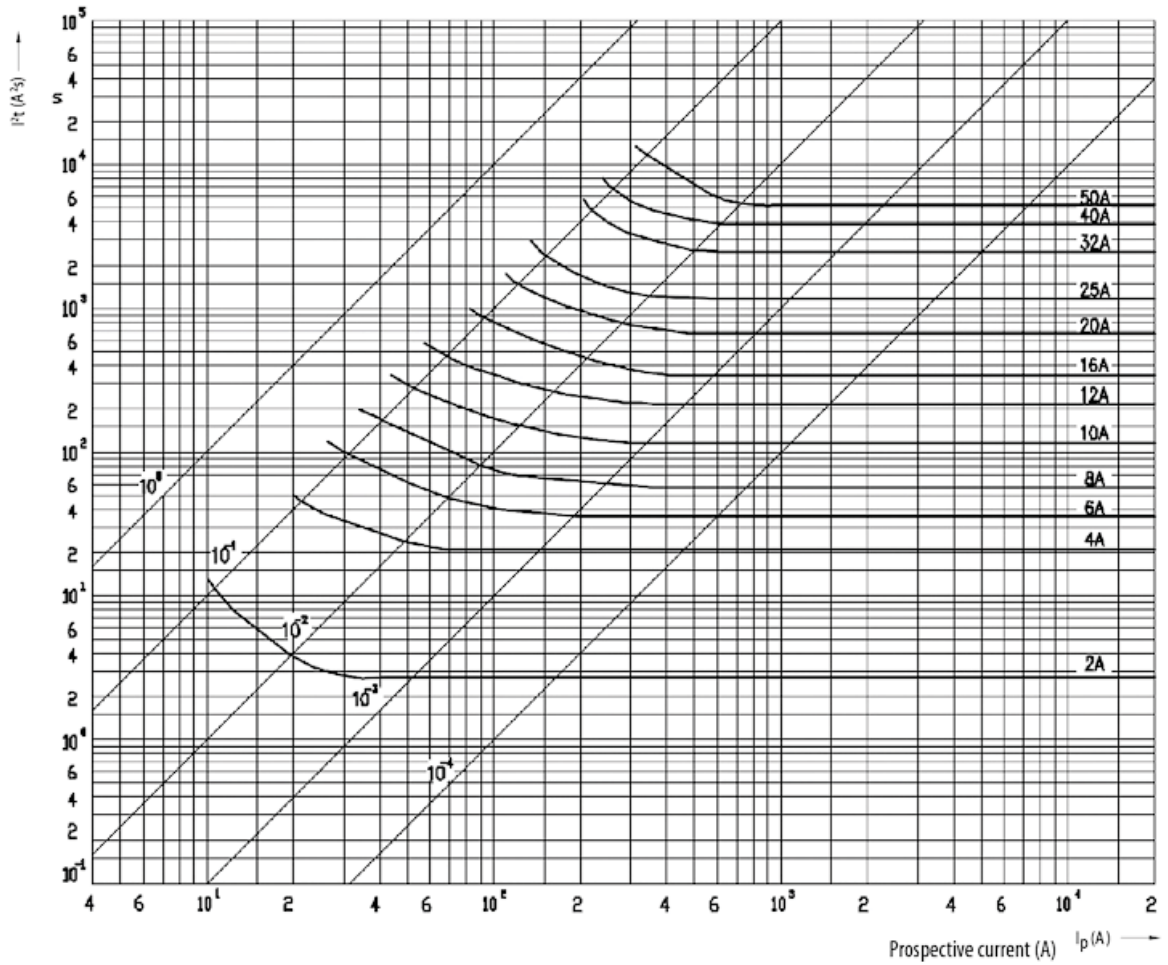
Cut-off current characteristics

Cut-off current characteristics
CH14



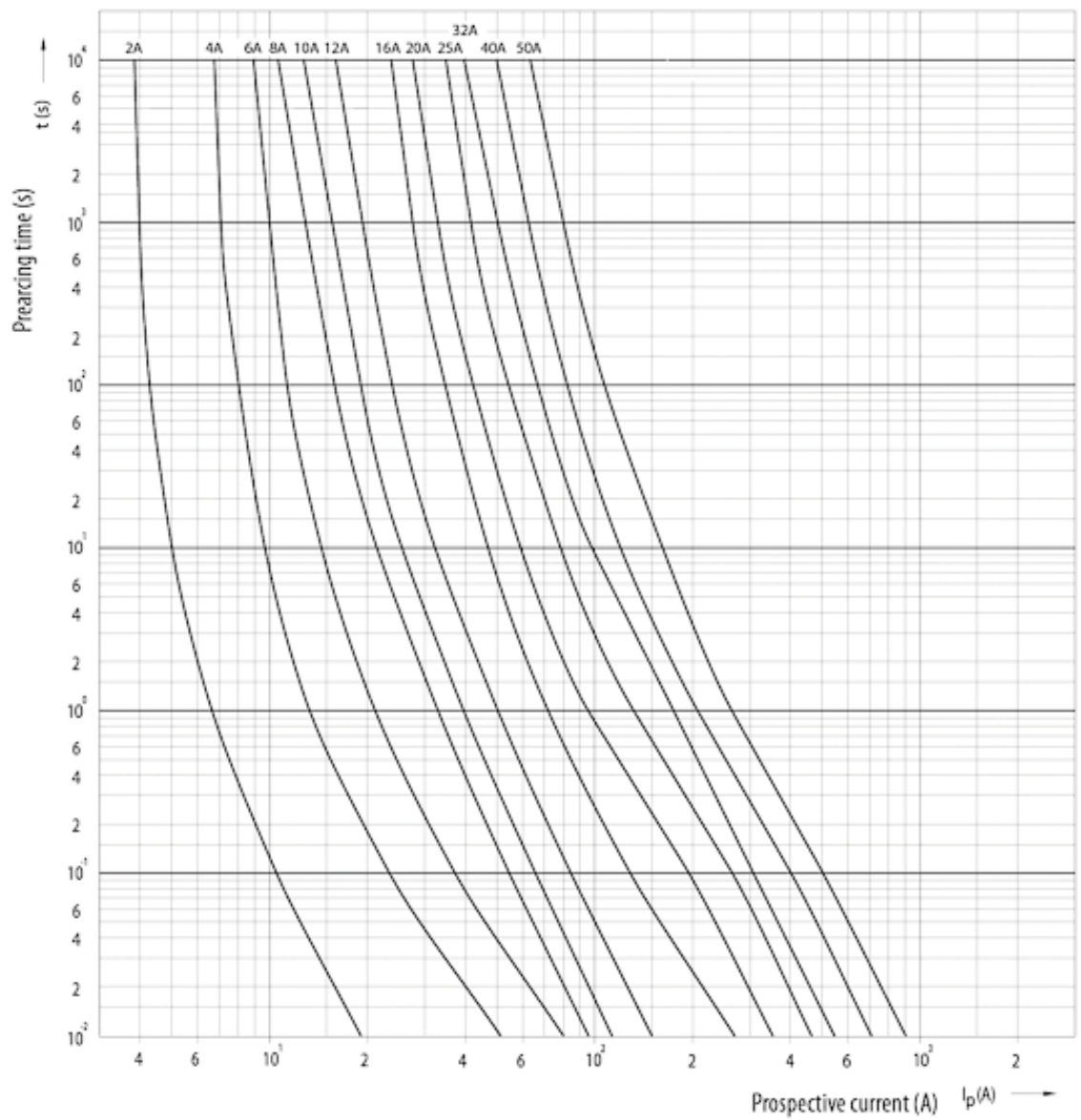
Melting energy characteristics

Melting energy characteristics I²t
CH14

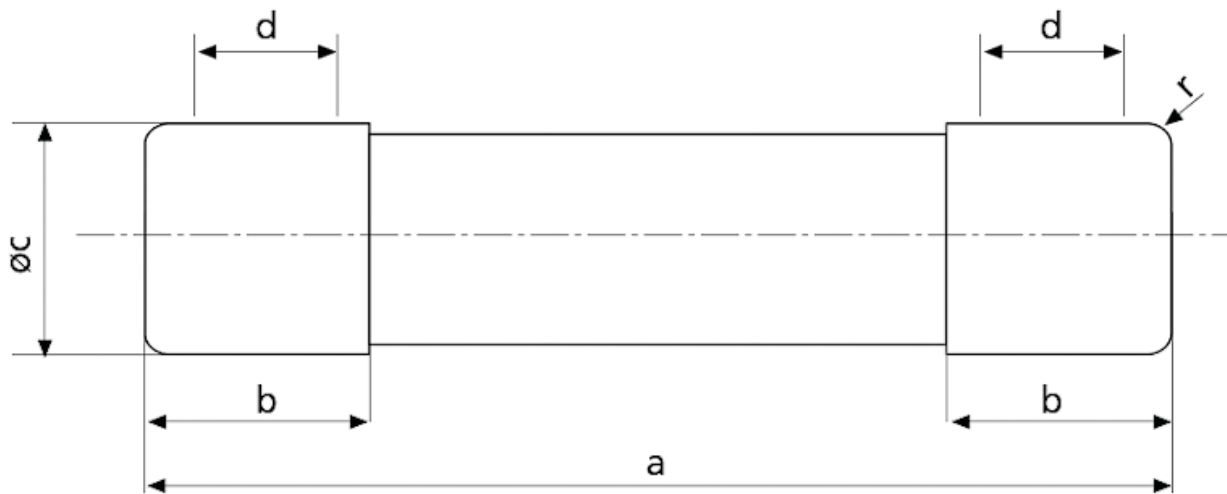


Time current characteristics

Time current
characteristics I/t, gG
CH14



Dimension drawing



	a	$b_{\text{max.}}$	c	$d_{\text{min.}}$	r
8 x 32	$31,5 \pm 0,5$	6,7	$8,5 \pm 0,1$	4	$1 \pm 0,5$
10 x 38	$38,0 \pm 0,6$	10,5	$10,3 \pm 0,1$	6	$1,5 \pm 0,5$
14 x 51	$51,0 + 0,6 / -1$	13,8	$14,3 \pm 0,1$	7,5	± 1
22 x 58	$58,0 + 0,1$	16,2	$22,2 \pm 0,1$	11	± 1

CH10x38 gPV 25A/900V DC



Specifications

ETI Code	002625109
Description	CH10x38 gPV 25A/900V DC
Weight	8.3
Level	Fuse links C (gPV, gR)
Breaking capacity DC (kA)	30
Characteristics	gPV
Designed for	Protection of PV installations
Dimensions	10x38
Operating joule integral (A2s)	289
Power dissipation (W)	4,1
Power dissipation (0,7xIn) (W)	1,65
Prearcing joule integral (A2s)	125
Product group	Special purpose fuses
Product subgroup	PV
Rated current (A)	25
Rated DC voltage (V)	900
Size	CH10
Type	CH
Designed for	Protection of PV installations
Operating joule integral (A2s)	289
Power dissipation (0,7xIn) (W)	1,65
Prearcing joule integral (A2s)	125

Online product page

Other documentation



[EU declaration](#)

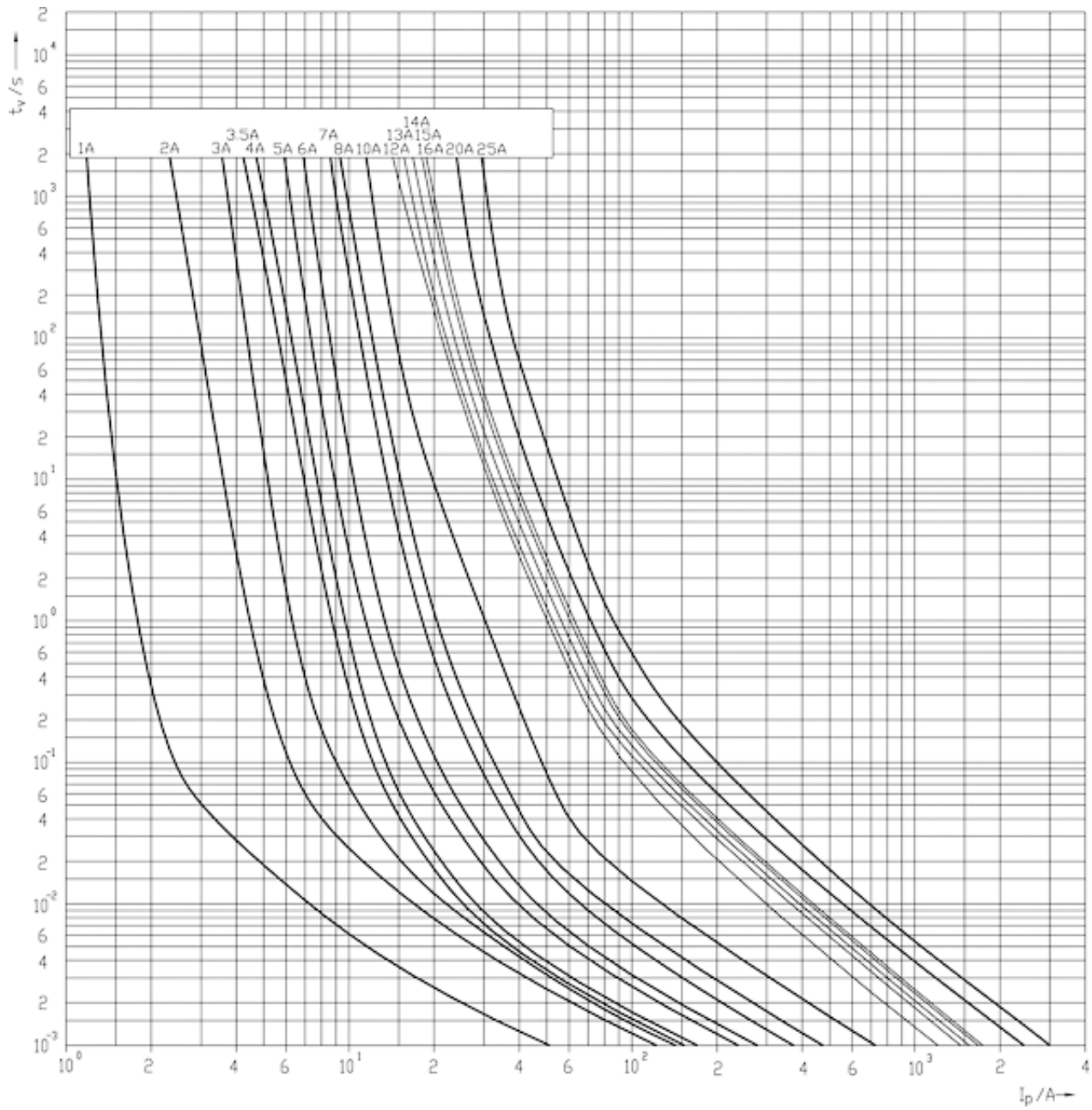
[Technical data catalogue](#)



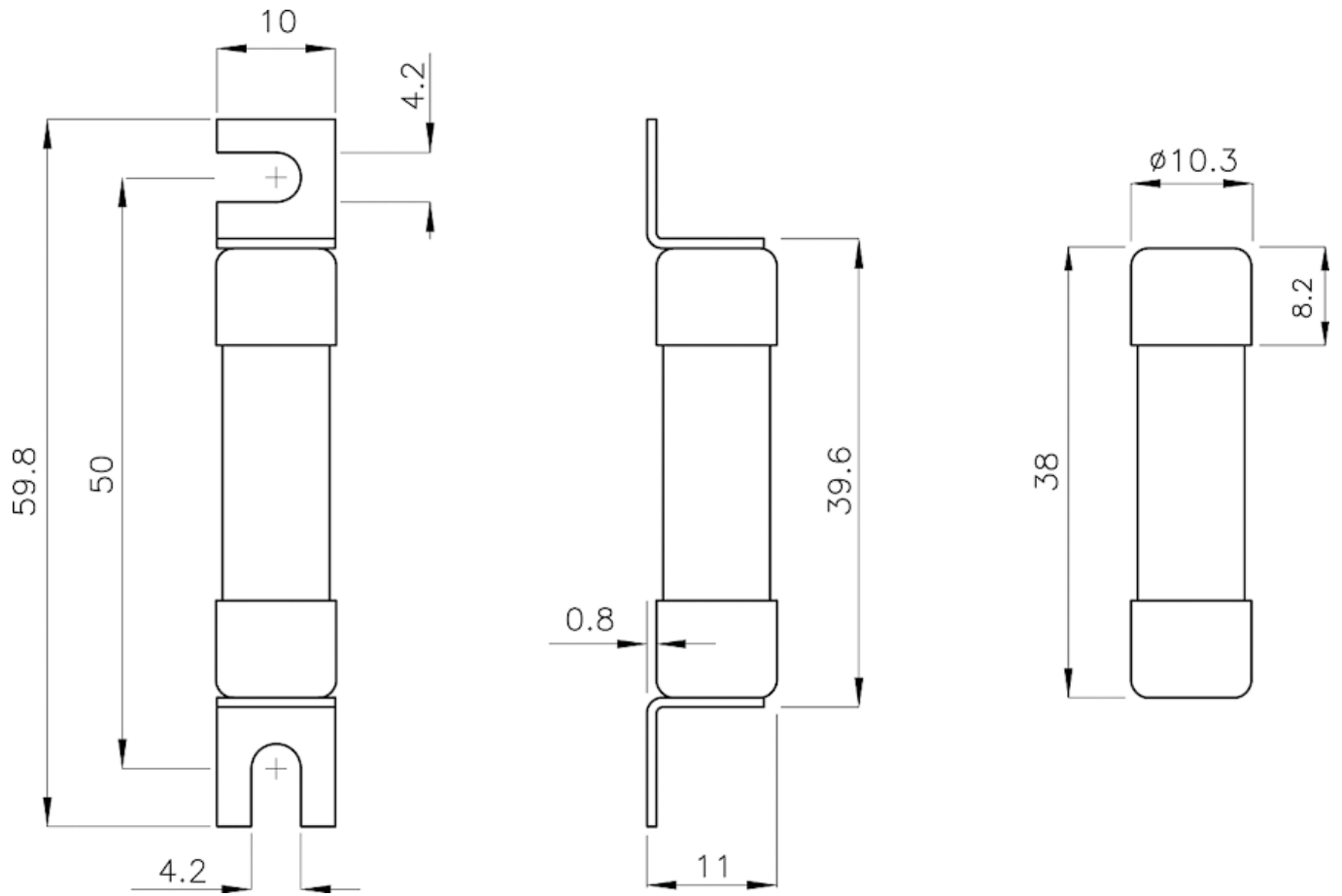
ETIM international classification

Nominal current	25A
Size	10x38 mm
Rated voltage	Other
With striker	

Time current characteristics



Dimension drawing



CH10x38 gR 16A/700V AC/DC



Specifications

ETI Code	002625023
Description	CH10x38 gR 16A/700V AC/DC
Weight	8.3
Level	SYSTEM C
Dimensions	10x38
Rated DC voltage (V)	700
Rated current (A)	16
Type	CH
Size	CH10
Product group	Special purpose fuses
Product subgroup	PV
Characteristics	gR
Rated AC voltage (V)	700
Breaking capacity AC (kA)	30
Breaking capacity DC (kA)	30
Power dissipation (W)	2,61
Power dissipation (0,7xIn) (W)	1,06

Online product page

Other documentation



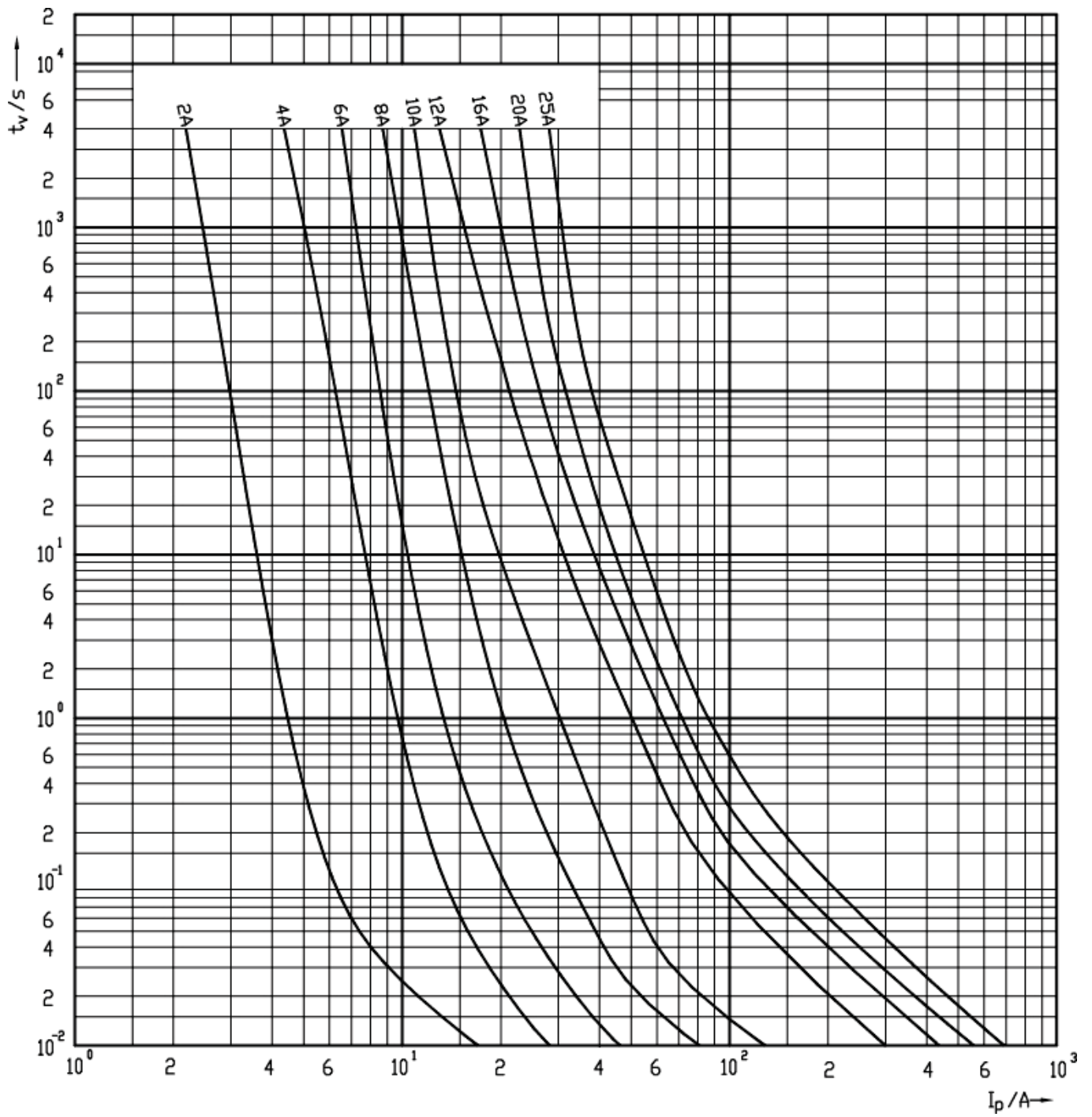
Technical data catalogue



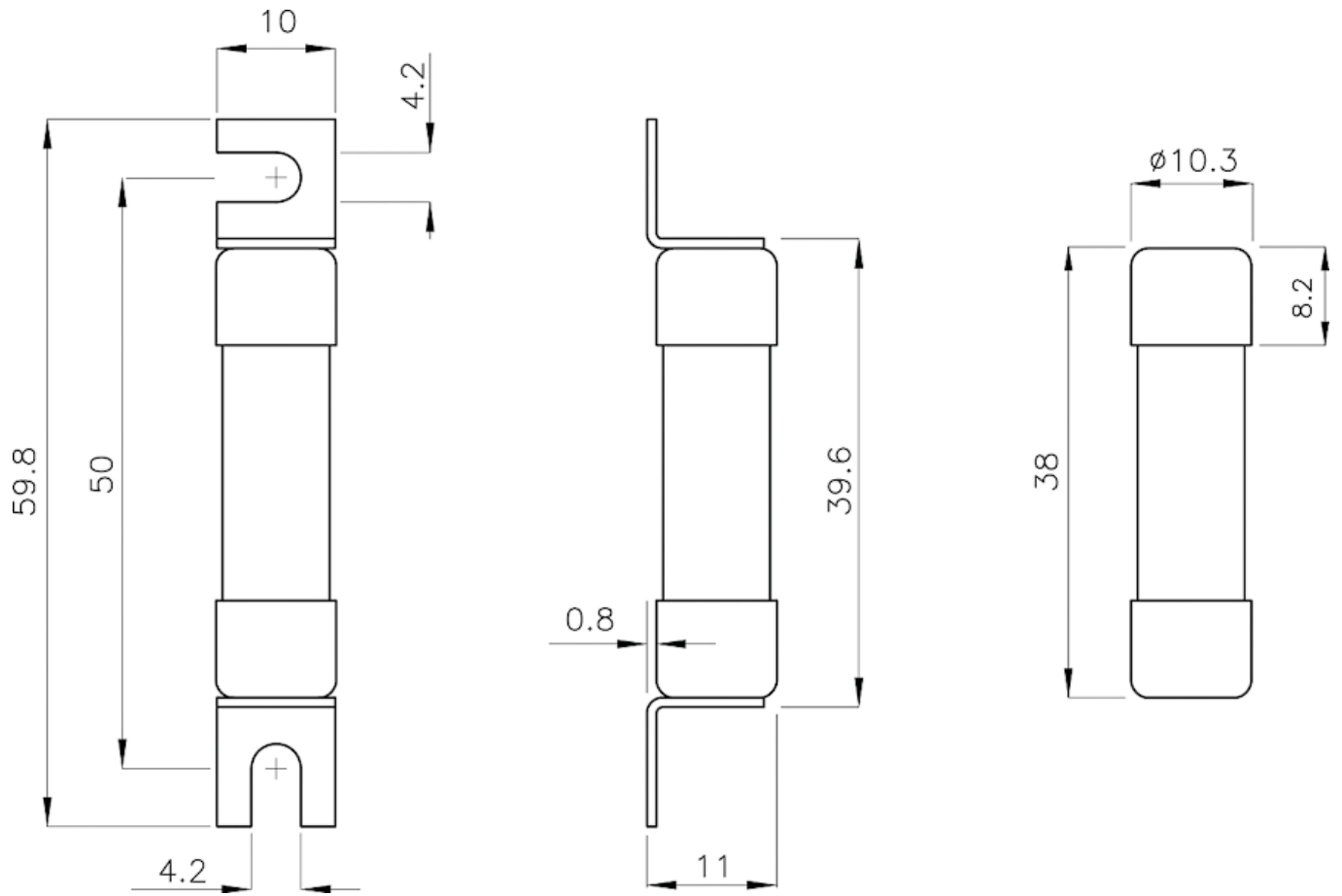
ETIM international clasification

Nominal current	16A
Size	10x38 mm
Nominal rated current	16
Construction size	CH10
Utilization category	gR
Breaking capacity	30
Rated voltage at DC	700
Rated voltage	DC 700 V
Rated voltage AC	700
With striker	

Time current characteristics



Dimension drawing



CH10x38 gR 25A/700V AC/DC



Specifications

ETI Code	002625025
Description	CH10x38 gR 25A/700V AC/DC
Weight	8.3
Level	SYSTEM C
Dimensions	10x38
Rated DC voltage (V)	700
Rated current (A)	25
Type	CH
Size	CH10
Product group	Special purpose fuses
Product subgroup	PV
Characteristics	gR
Rated AC voltage (V)	700
Breaking capacity AC (kA)	30
Breaking capacity DC (kA)	30
Power dissipation (W)	4
Power dissipation (0,7xIn) (W)	1,61

Online product page

Other documentation



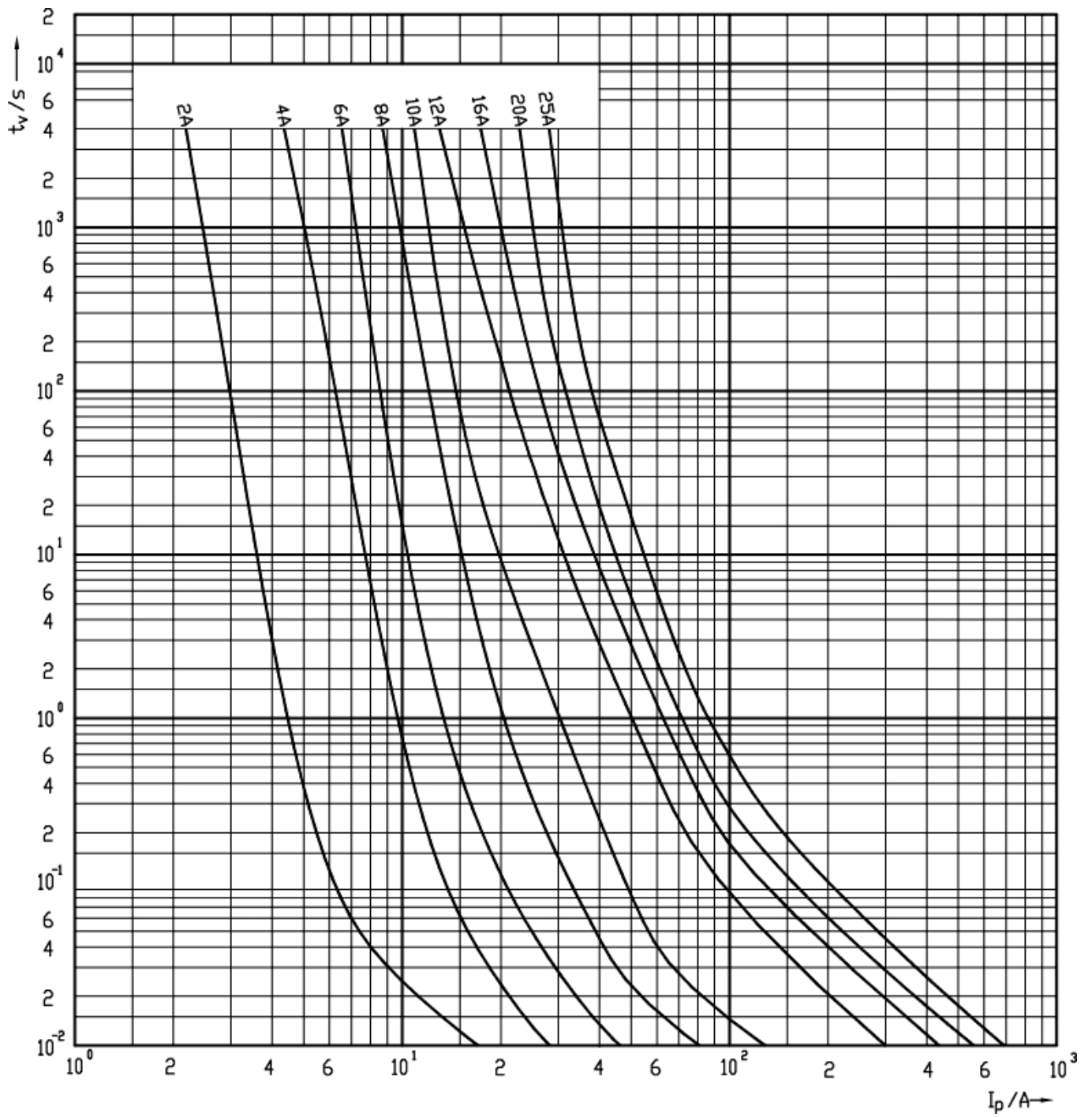
Technical data catalogue



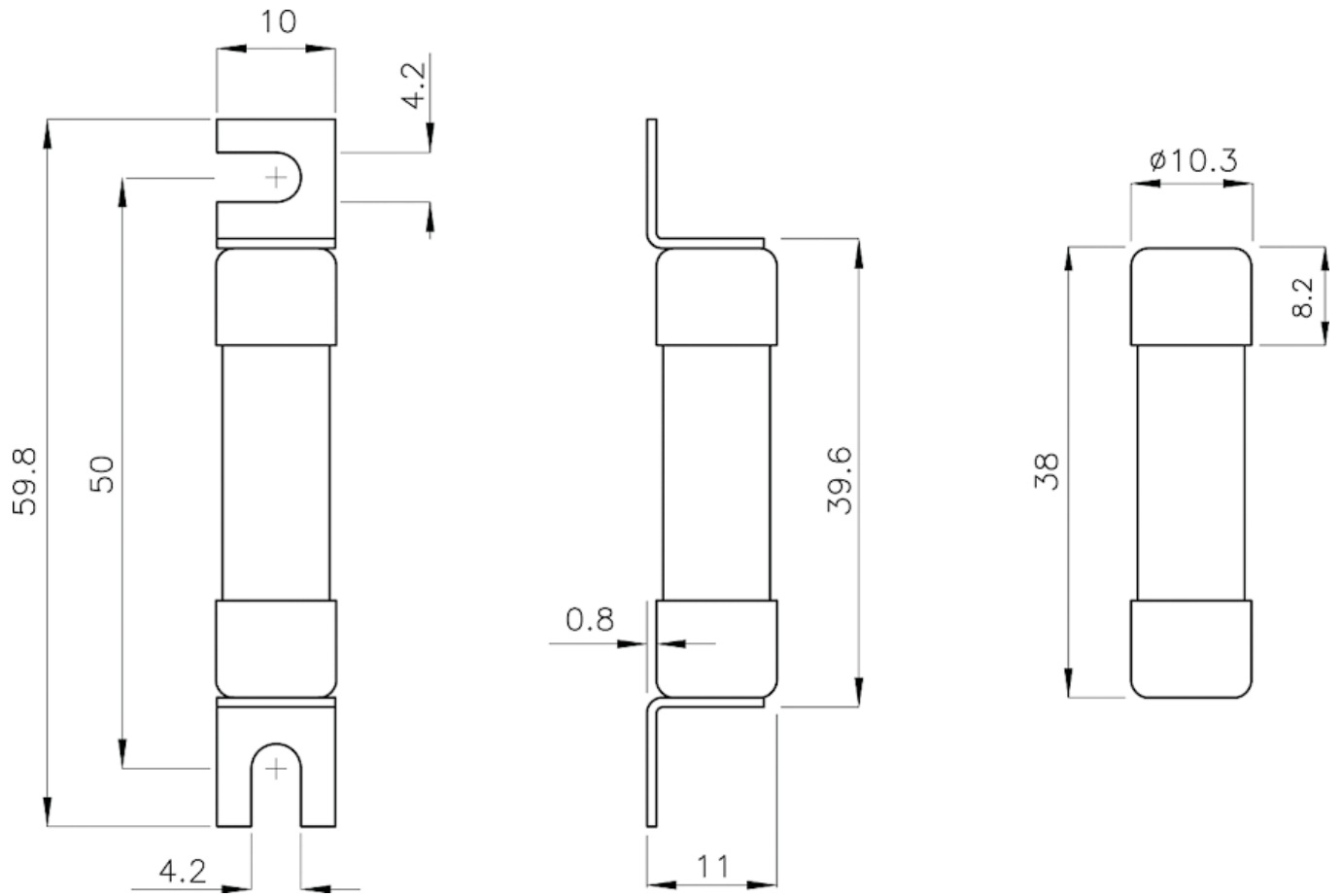
ETIM international clasification

Nominal current	25A
Size	10x38 mm
Nominal rated current	25
Construction size	CH10
Utilization category	gR
Breaking capacity	30
Rated voltage at DC	700
Rated voltage	DC 700 V
Rated voltage AC	700
With striker	

Time current characteristics



Dimension drawing



TRB 50A/80V



Specifications

ETI Code	004341021
Description	TRB 50A/80V
Weight	.02
Level	Special purpose fuses
Rated current (A)	50
Type	TRB
Product group	Special purpose fuses
Product subgroup	DC
Rated DC voltage (V)	80

Online product page 

Other documentation



[EU declaration](#)

[Technical data catalogue](#)



ETIM international classification

Nominal current

50A

Dimension drawing

