

## Home distribution board DIDO-E

### Technical data

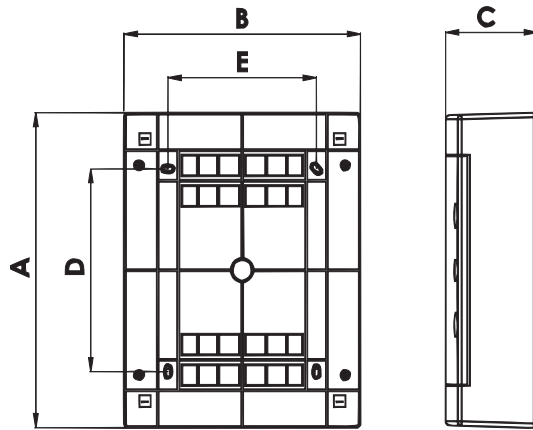
Degree of protection	IP 40
Insulation class	F
Colour	white
Double insulation	<input type="checkbox"/>
Standard	IEC60670-24
Installation temperature	-20° / +70°C

### Number of N - PE terminals:

U,N 8-C	2x8...8 PE / 8 N
U,N 12-C	2x10 10 PE / 10 N
U 18-C	2x13 13 PE / 13 N
U,N 24-C	2x13 13 PE / 13 N
U,N 36-C	2x15 15 PE / 15 N

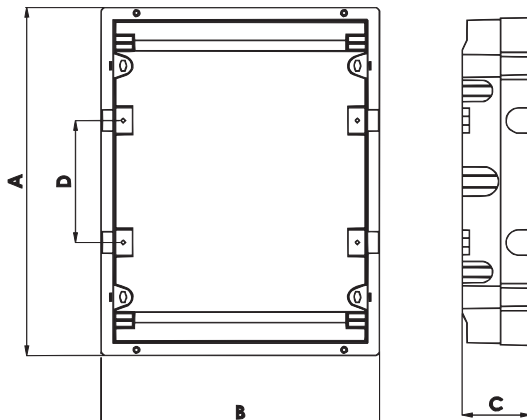
### Surface mounted distribution board

type	Dimensions					Max. allowed power losses when Max. number of devices are installed Pde
	A	B	C	D	E	
ECT8PT/ECT8PO	236 mm	215 mm	112 mm	107 mm	108 mm	14W
ECT12PT/ECT12PO	236 mm	287 mm	112 mm	107 mm	180 mm	22W
ECT18PT/ECT18PT	236 mm	396 mm	112 mm	107 mm	289 mm	22W
ECT24PT/ECT24PO	361 mm	287 mm	112 mm	232 mm	180 mm	24W
ECT36PT/ECT36PO	482 mm	287 mm	112 mm	357 mm	180 mm	26W

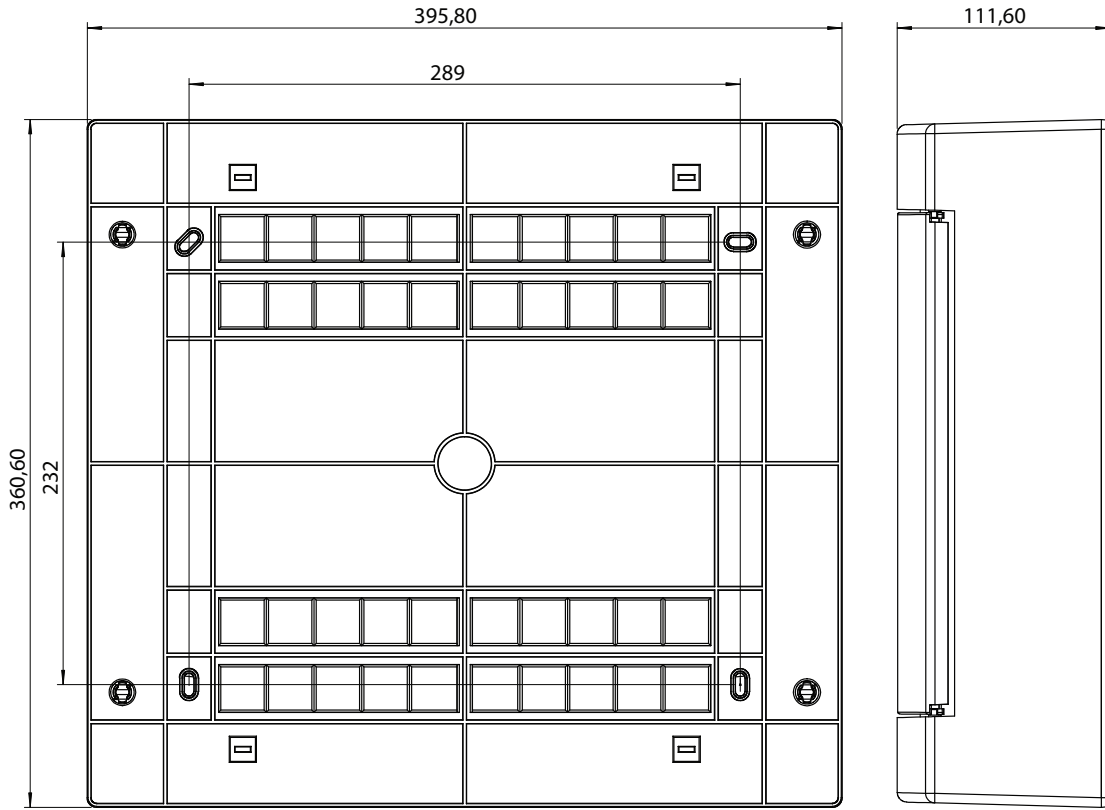


### Flush mounted distribution board

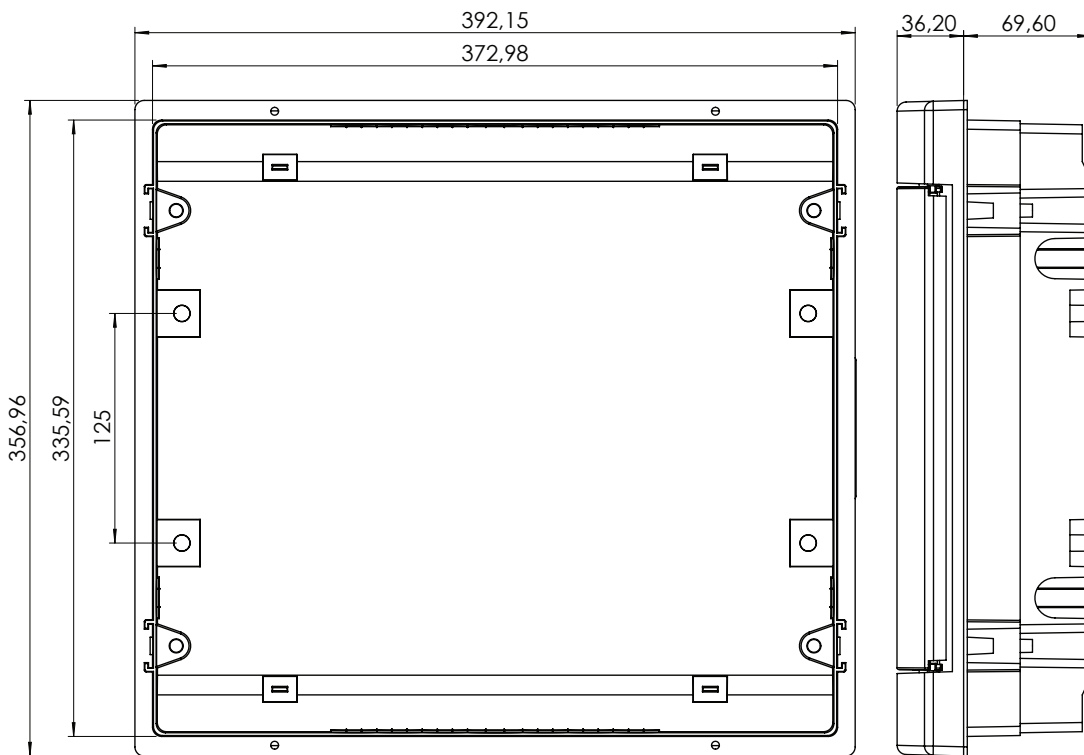
type	Dimensions				Max. allowed power losses when Max. number of devices are installed Pde
	A	B	C	D	
ECM8PT/ECM8PO	232mm	211mm	70mm	-	14W
ECM12PT/ECM12PO	232mm	283mm	70mm	-	22W
ECM24PT/ECM24PO	357mm	283mm	70mm	125mm	24W
ECM36PT/ECM36PO	482mm	283mm	70mm	125mm	26W



2x18 modules



surface mounted



flush mounted

## Home distribution boards DIDO-ECH

Technical data	
Degree of protection	IP 65
Insulation class	II
Colour	RAL 7035
Double insulation	<input type="checkbox"/>
Standard	IEC60670-24
Installation temperature	-20° / +60°C

### Number of PE - N terminals:

4-G	2x4	4 PE / 4 N
8-G	2x8	8PE / 10 N
12-PT	2x10	10 PE / 10 N
24-PT	2x15	15 PE / 15 N
36-PT	2x15	15 PE / 15 N

type	Dimensions			Max. allowed power losses when Max. number of devices are installed Pde
	H	W	D	
ECH-4G	201	128	120	10W
ECH-8G	201	202	120	13W
ECH-12PT	256	319	144	16W
ECH-24PT	384	319	144	24W
ECH-36PT	535	319	144	26W

## Home distribution board DIDO-S

Technical data	
Degree of protection	IP 40
Insulation class	F
Colour	White RAL 9010
Double insulation	<input type="checkbox"/>
Standard	IEC 670-1/94
Installation temperature	- 15° / + 60°C

### Surface mounted distribution board - without door

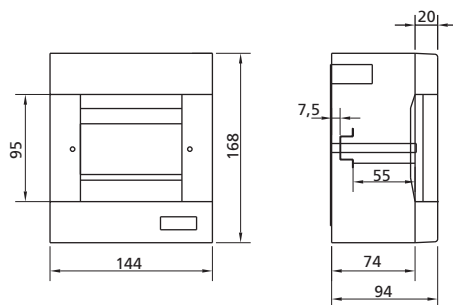
Type	dimensions [mm]
NE2 without door CT2	51x130x60
NE5 without door CT5	144x168x94
NE8 without door CT8	215x168x94
NE12 without door CT12	283x185x94
ND12 without door CT24	256x326x101
NT12 without door CT36	256x451x101

### Surface mounted distribution board - transparent door

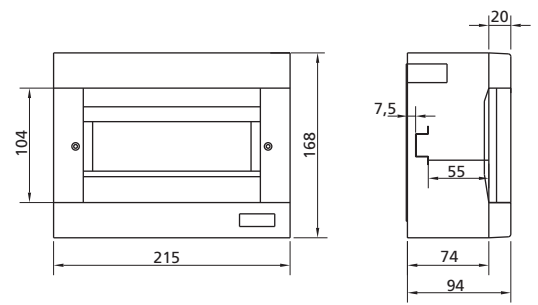
Type	dimensions [mm]
NE5 transp. door CT5PT	144x168x94
NE8 transp. door CT8PT	215x168x94
NE12 transp. door CT12PT	283x185x94
ND12 transp. door CT24PT	256x326x101
NT12 transp. door CT36PT	256x451x101

### Surface mounted distribution board - white door

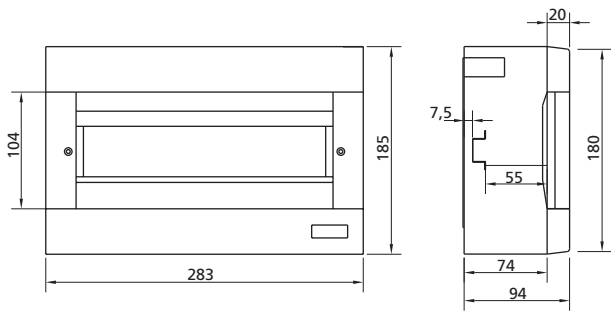
Type	dimensions [mm]
ND12 white door CT24PO	256x326x101
NT12 white door CT36PO	256x451x101



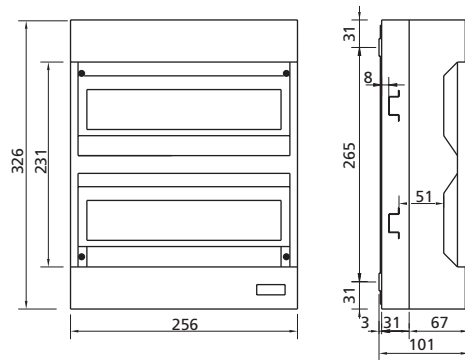
NE 5



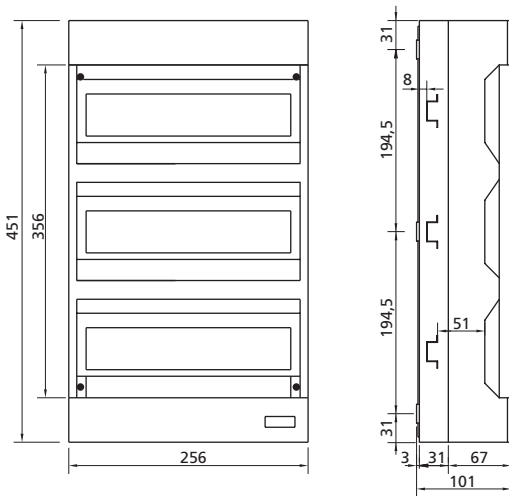
NE 8



NE 12



ND 12



NT 12

**Flush mounted distribution board - without door**

Type	dimensions [mm]
PE4 without door CM4	145x170x93
PE8 without door CM8	215x170x93
PE12 without door CM12	285x185x93

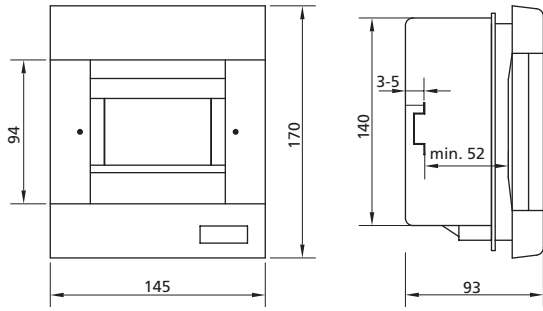
**Flush mounted distribution board - white door**

Type	dimensions [mm]
PD12 white door CMR24PO	345x300x97,5
PT12 white door CMR36PO	470x300x97,5

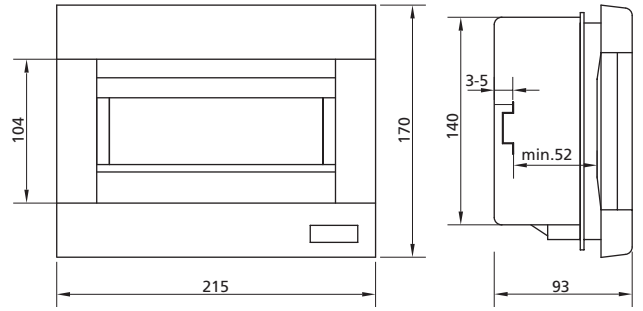
**Flush mounted distribution board - transparent door**

Type	dimensions [mm]
PE4 transparent door CM4PT	145x170x83
PE8 transparent door CM8PT	215x170x93
PE12 transparent door CM12PT	287x185x93
PD12 transparent door CMR24PT	345x300x97,5
PT12 transparent door CMR36PT	470x300x97,5

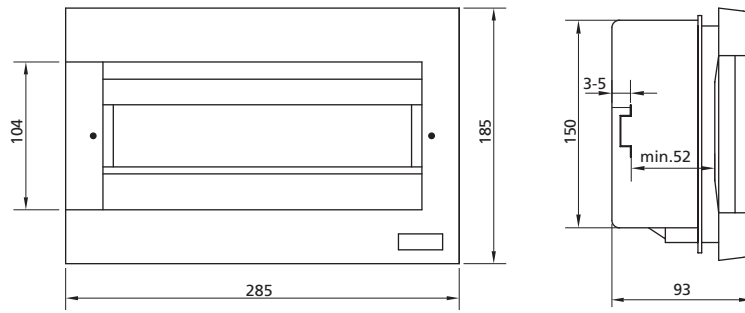
DIDO



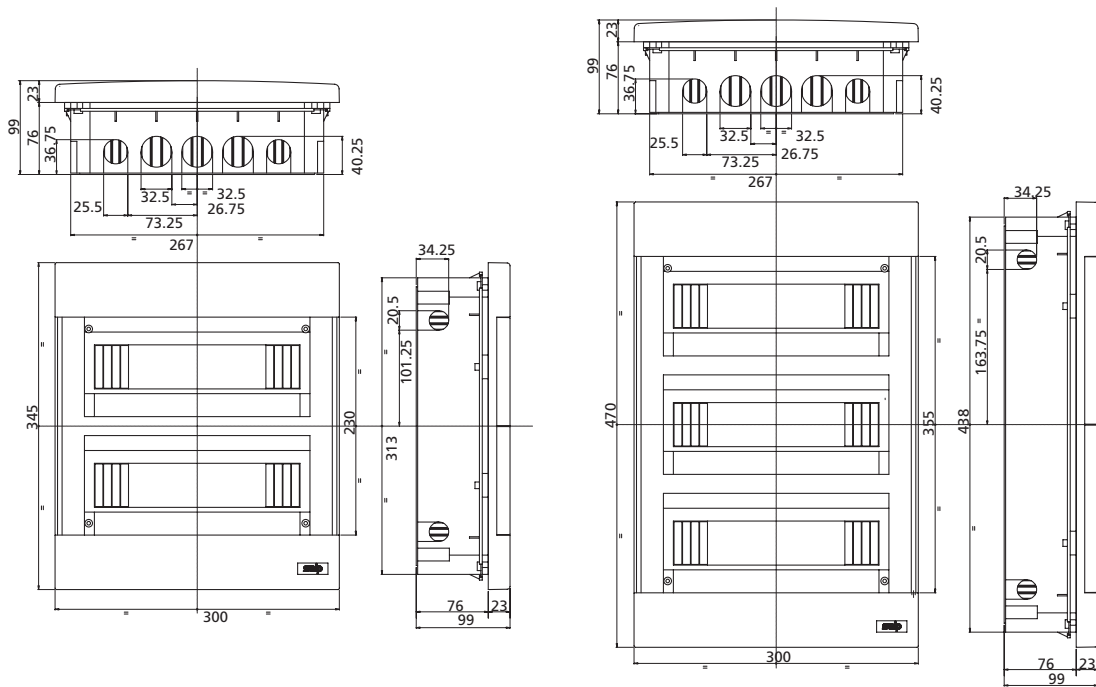
PE 4



PE 8



PE 12



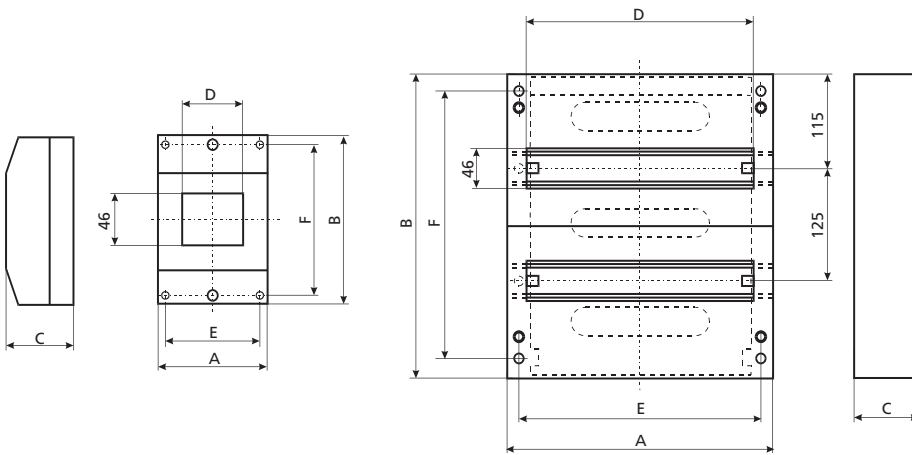
PD 12

PT 12

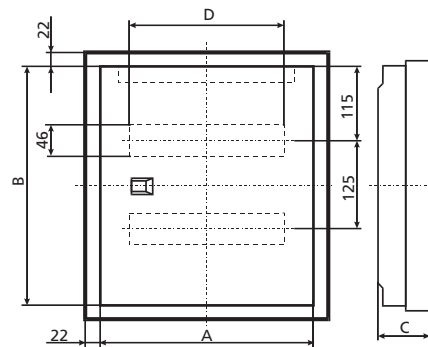
# Home distribution board DIDO

Technical data:	
Rated voltage $U_n$	400 V
Rated current $I_n$	63 A
Degree of protection	IP 30
Double insulation	<input type="checkbox"/>
Colour	RAL 9016
Material	
Standard	DIN 43871, DIN 57603, IEC 670

type	dimension					
	A	B	C	D	E	F
DIDO NE 4	100	150	58	72	80,5	135
DIDO NE 12	250	225	70,5	217	229	199
DIDO ND 12	250	350	70,5	217	229	324



Flush mounted distribution board				
type	dimension			
	A	B	C	D
DIDO PE 12 high	294	217	90	217
DIDO PE 12 low	294	217	70	217
DIDO DP 12 high	294	335	90	217
DIDO PD 12 low	294	335	70	217

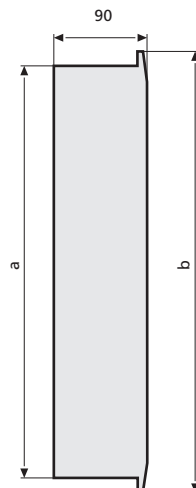


## Distribution board DIDO GLOBAL

Technical data:		
Design in accordance with	IEC/EN 60439-3, EN 50298	
Degree of protection without door	IP 30 (EN 60529)	
Degree of protection with door	IP 40 (EN 60529)	
Protection class	II	
Rated voltage	400V AC / 50Hz	
Insulating voltage	400 V AC	
Nominal current	63A	
Suitable for network structures	TN, TT, IT	
Max. allowed power losses when Max. number of devices is installed	1 row	19 W
	2 rows	32 W
	3 rows	41 W
	4 rows	49 W

Material			
Flush component			
Cover	PS		
Terminal support	PPO		
Wall box	PS		
Door / door frame	steel sheet (phosphatised and powder coated for protection against corrosion), colour white RAL 9016		
Distance between DIN rails	125 mm		
Number of N - PE terminals		N	PE
	1 row	13	13
	2 rows	13	17
	3 rows	27	27
	4 rows	27	27
Device support rail	DIN rail 35 x 7,5 mm galvanized steel sheet acc. to EN 50022		

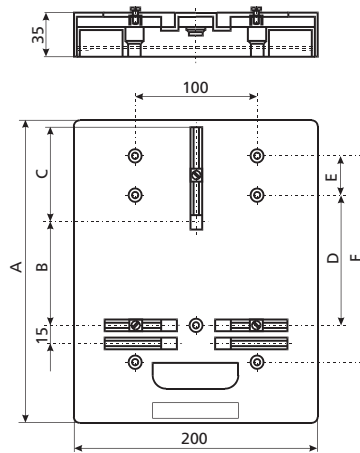
Flush mounted distribution boards		
type	dimension	
	A	B
DIDO GLOBAL PE 14	309	339
DIDO GLOBAL PD 28	434	464
DIDO GLOBAL PT 42	559	589
DIDO GLOBAL P <sup>S</sup> 56	684	714



## METER board

### METER board

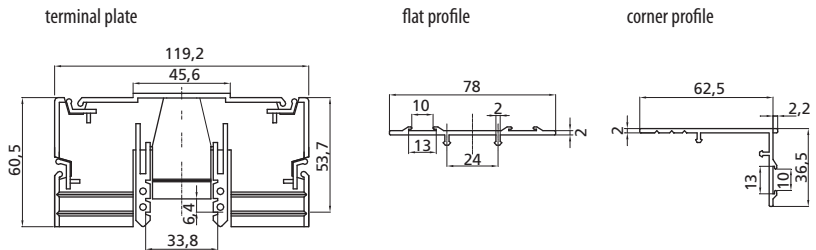
type	dimension					
	A	B	C	D	E	F
MPO	250	80	85	47	63	170
VPO	370	75	170	136	50	241
MP	250	80	85	47	63	270
VP	370	75	170	136	50	241



## Universal board covering UPO

### Technical data:

Standard length of profile	1 m
Number of carriers per 1 m of profile	4 pcs
Distance between mounting rails	125 mm
Width of distance for built-in elements	46 + 0,5 mm

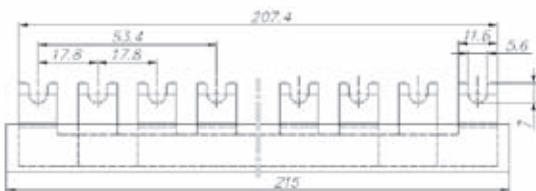


## Accessories

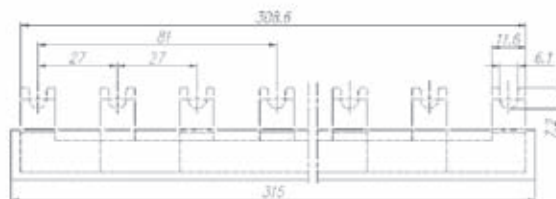
### IZ-S rails

Nominal voltage	max. 500V
Dielectric strength	2,5 kV
Insulating resistance	> 5 MΩ (acc. DIN 53482)
Temperature range	-20°C do + 50°C
Glow wire test	850°C (acc. IEC 695-2-1)
Self-extinguishing	V-0
Standards	EN 60947-7-1

cross section	Rated current (A)
10 mm <sup>2</sup>	63
12 mm <sup>2</sup>	80
16 mm <sup>2</sup>	100



IZ16\_3F\_12



IZ16\_3F\_12\_STV

### Terminal for protective conductors

type	length [m]	supply [mm <sup>2</sup> ]	outlet [mm <sup>2</sup> ]
2/6	0,056	2 x 22	6 x 14
2/8	0,086	2 x 22	8 x 14
2/12	0,092	2 x 22	12 x 14
2/18	0,128	2 x 22	18 x 14

### Insulating terminal for protective conductors

type	length [m]	supply [mm <sup>2</sup> ]	outlet [mm <sup>2</sup> ]
2 x 2/6	0,265	4 x 22	12 x 14
2 x 2/8	0,265	4 x 22	16 x 14
2 x 2/12	0,265	4 x 22	24 x 14
2 x 2/18	0,265	4 x 22	36 x 14