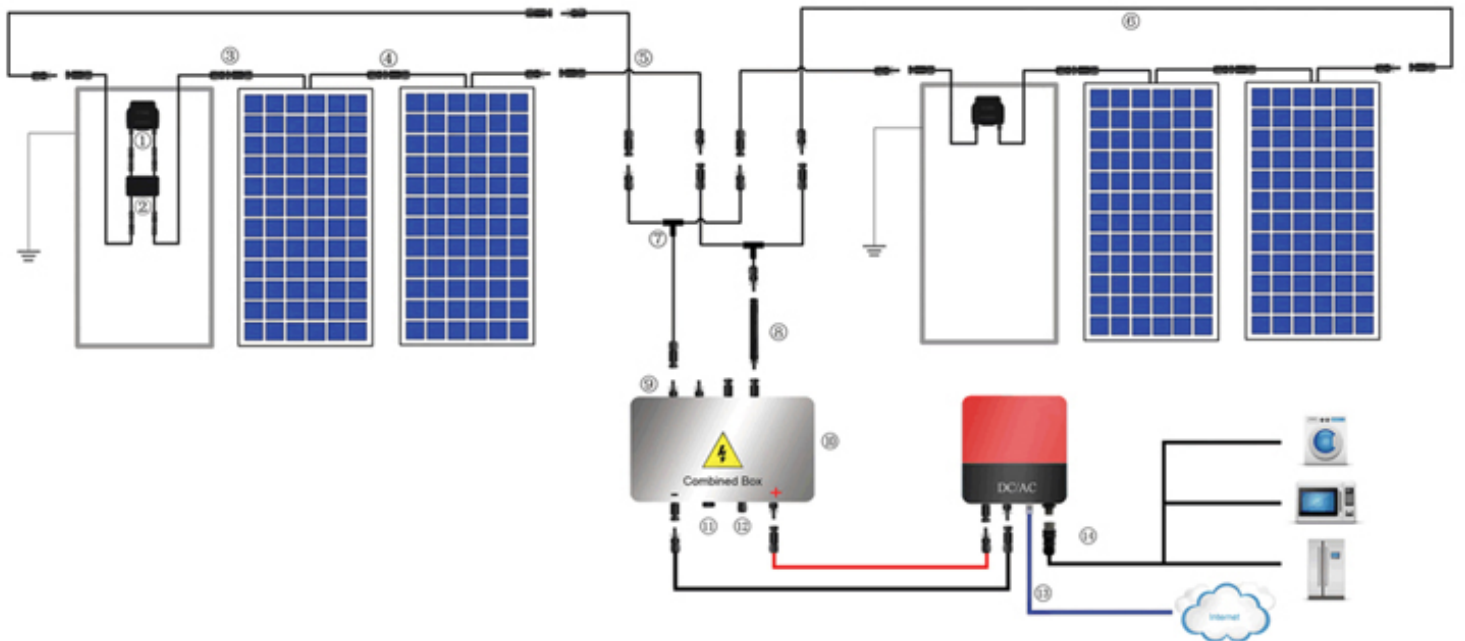
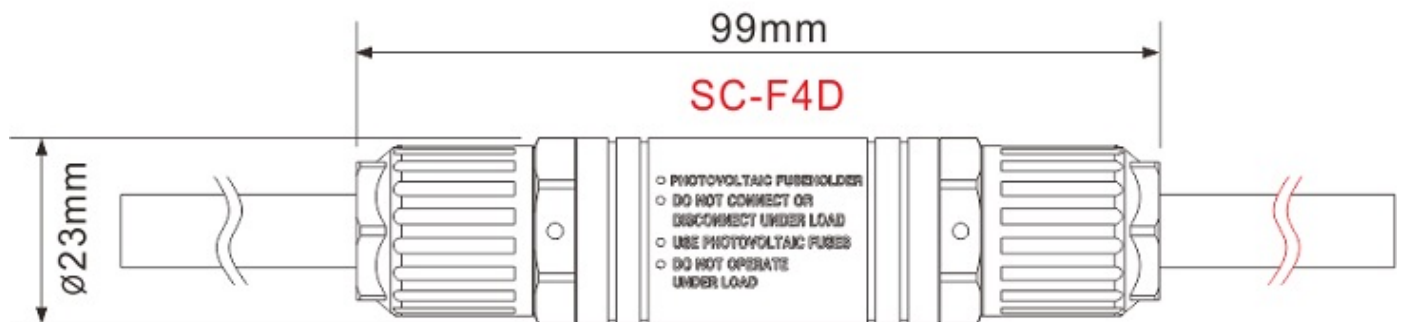
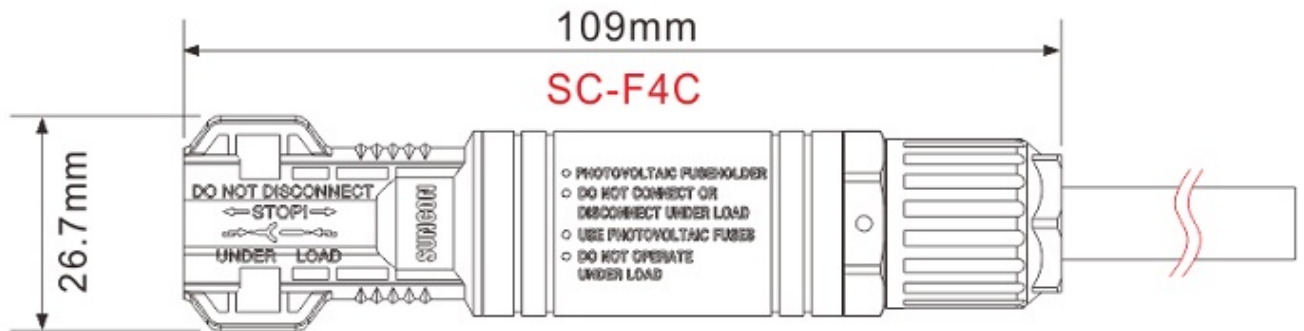
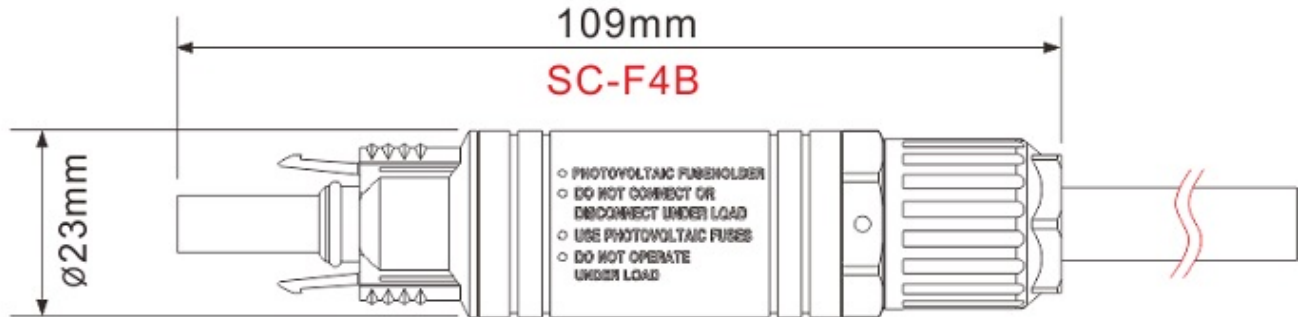
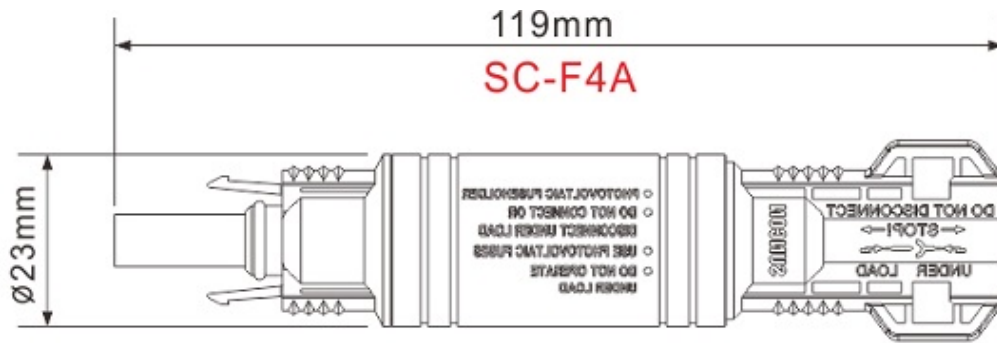


Product No.	F4A/B/C/D
Rated voltage	TUV 1000V DC / UL 600V DC
Rated current	1~30A
Suitable cable cross sections	2.5mm ² ~ 10.0mm ² / 14AWG ~ 8AWG
Terminal size	Φ4.0mm
Test voltage	DC 8KV 1min
Pollution degree	2
Protection class	Class II
Terminal Material	Copper tin
Contact resistance	≤ 5mΩ
Insulation Materials	PPO
IP rating	IP67(IEC 60529)
Pull-out force	≥ 50N
Insertion Force	≤ 50N
Test temperature	-40°C ~ +85°C
Flame Class	UL94V - 0





Conductor cross section

14 / 12 / 10 / 8 AWG

2.5 / 4.0 / 6.0 / 10.0 mm²